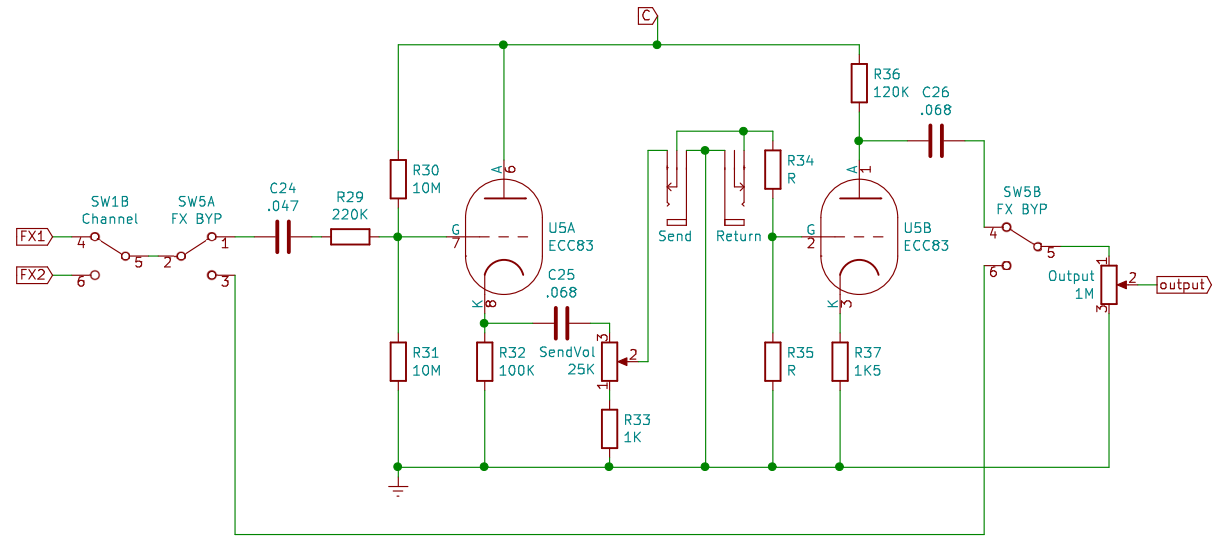
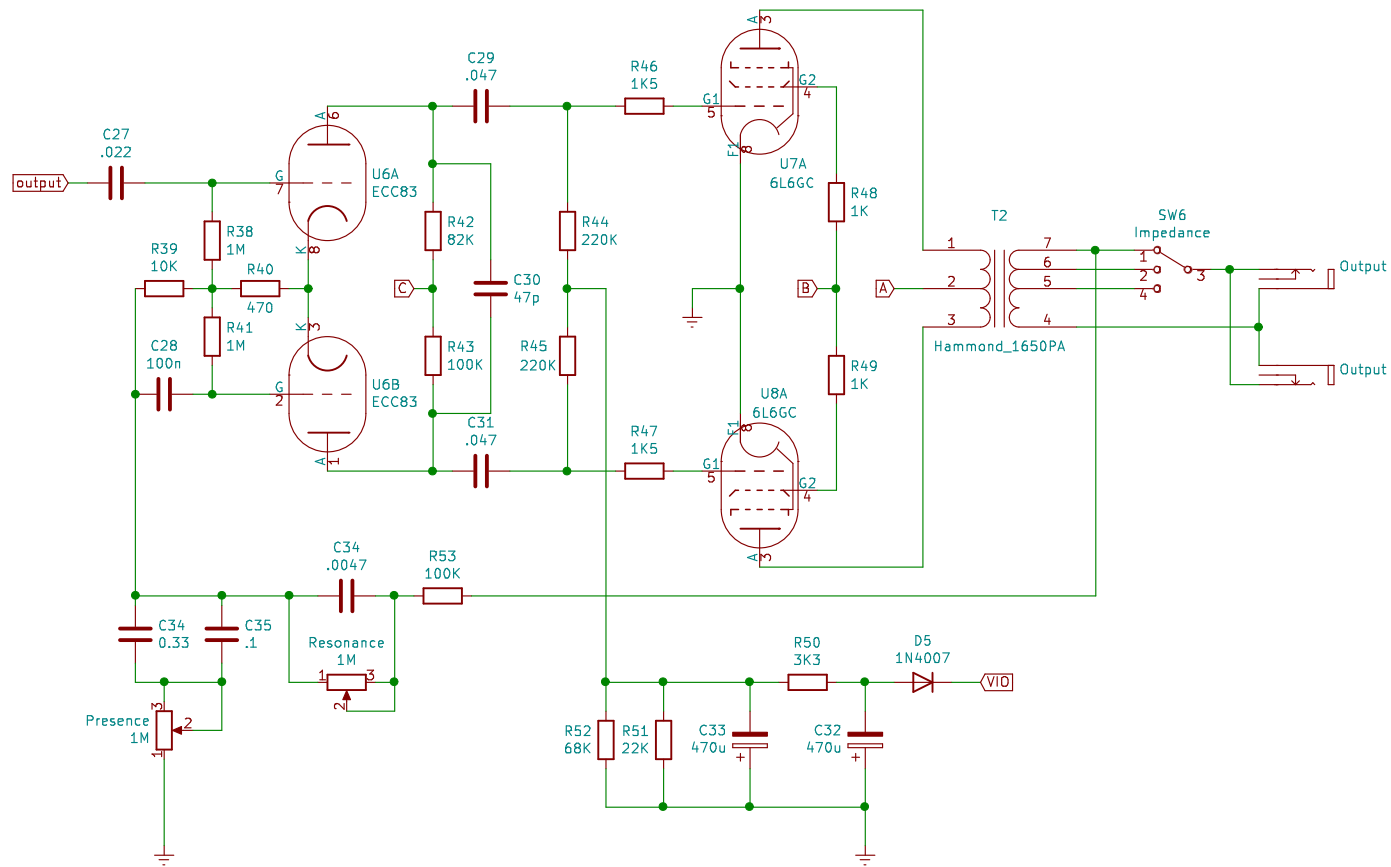


Sheet: FxLoop	Sheet: Poweramp	Sheet: Powersupply
File: FxLoop.sch	File: Poweramp.sch	File: powersupply.sch
Sheet: /		
File: Howler-Amp.sch		
<b>Title: Howler Amplifier</b>		
Size: A4	Date: 2020-09-14	Rev: 0.0.1
KiCad E.D.A. kicad 5.1.6+dfsg1-1		Id: 1/4



Sheet: /FxLoop/			
File: FxLoop.sch			
<b>Title: Howler Amplifier</b>			
Size: A4	Date: 2020-09-14	<b>Rev: 0.0.1</b>	
KiCad E.D.A. kicad 5.1.6+dfsg1-1		Id: 2/4	

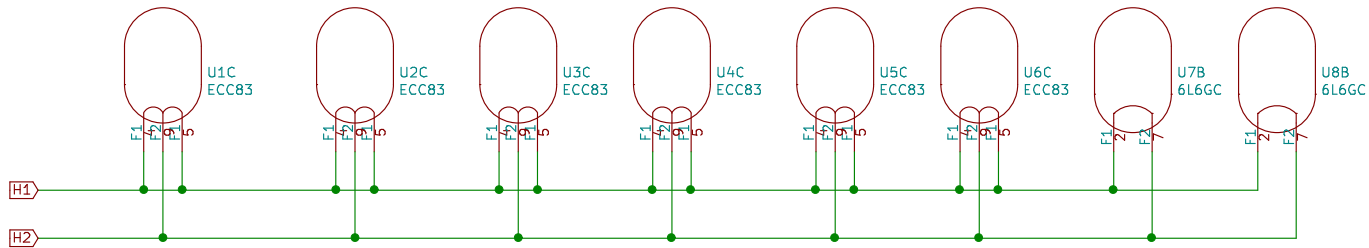
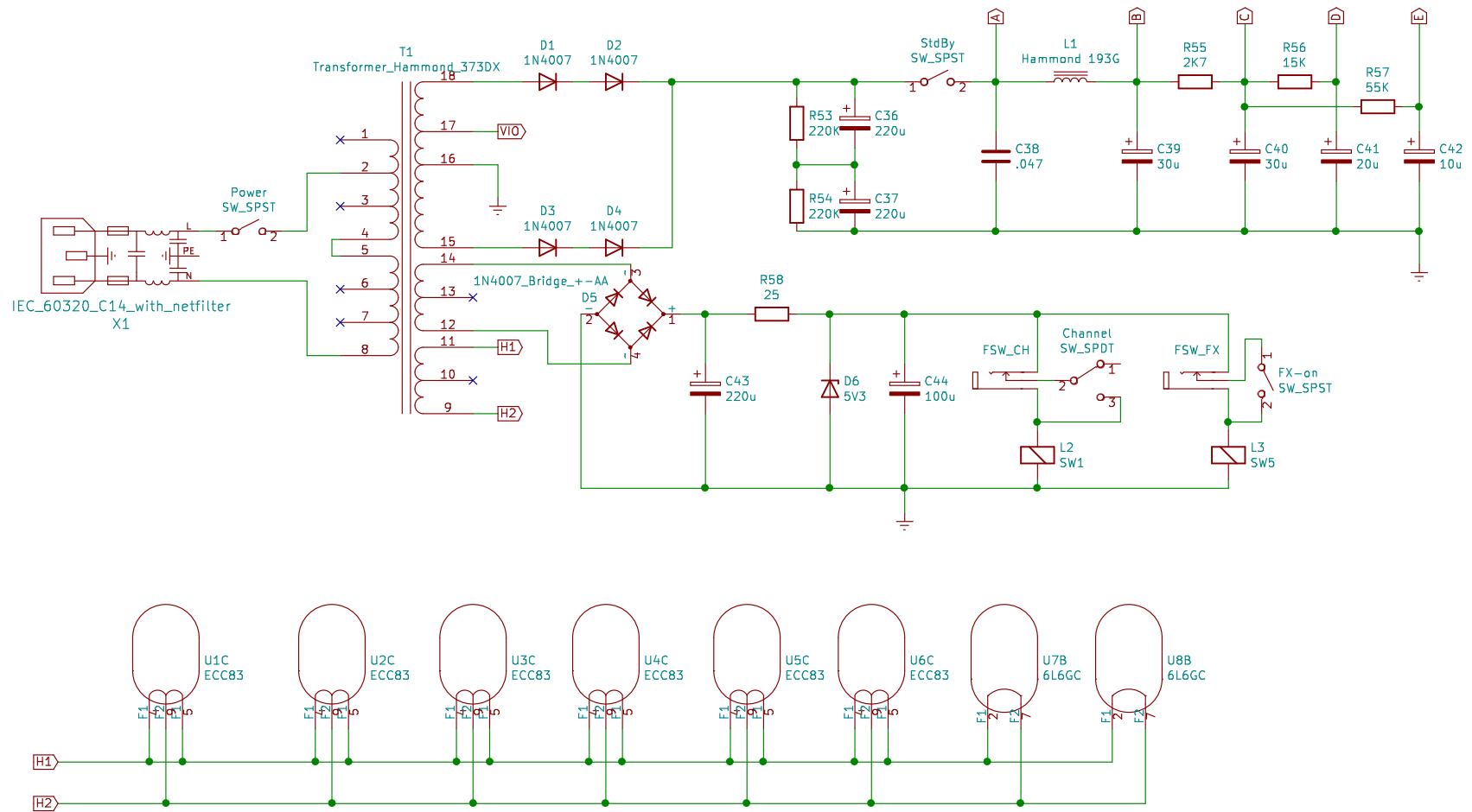


Sheet: /Poweramp/  
 File: Poweramp.sch

**Title: Howler Amplifier**

Size: A4 Date: 2020-09-14  
 KiCad E.D.A. kicad 5.1.6+dfsg1-1

**Rev: 0.0.1**  
 Id: 3/4



Sheet: //Powersupply/  
 File: powersupply.sch

**Title: Howler Amplifier**

Size: A4 Date: 2020-09-14

KiCad E.D.A. kicad 5.1.6+dfsg1-1

Rev: 0.0.1

Id: 4/4